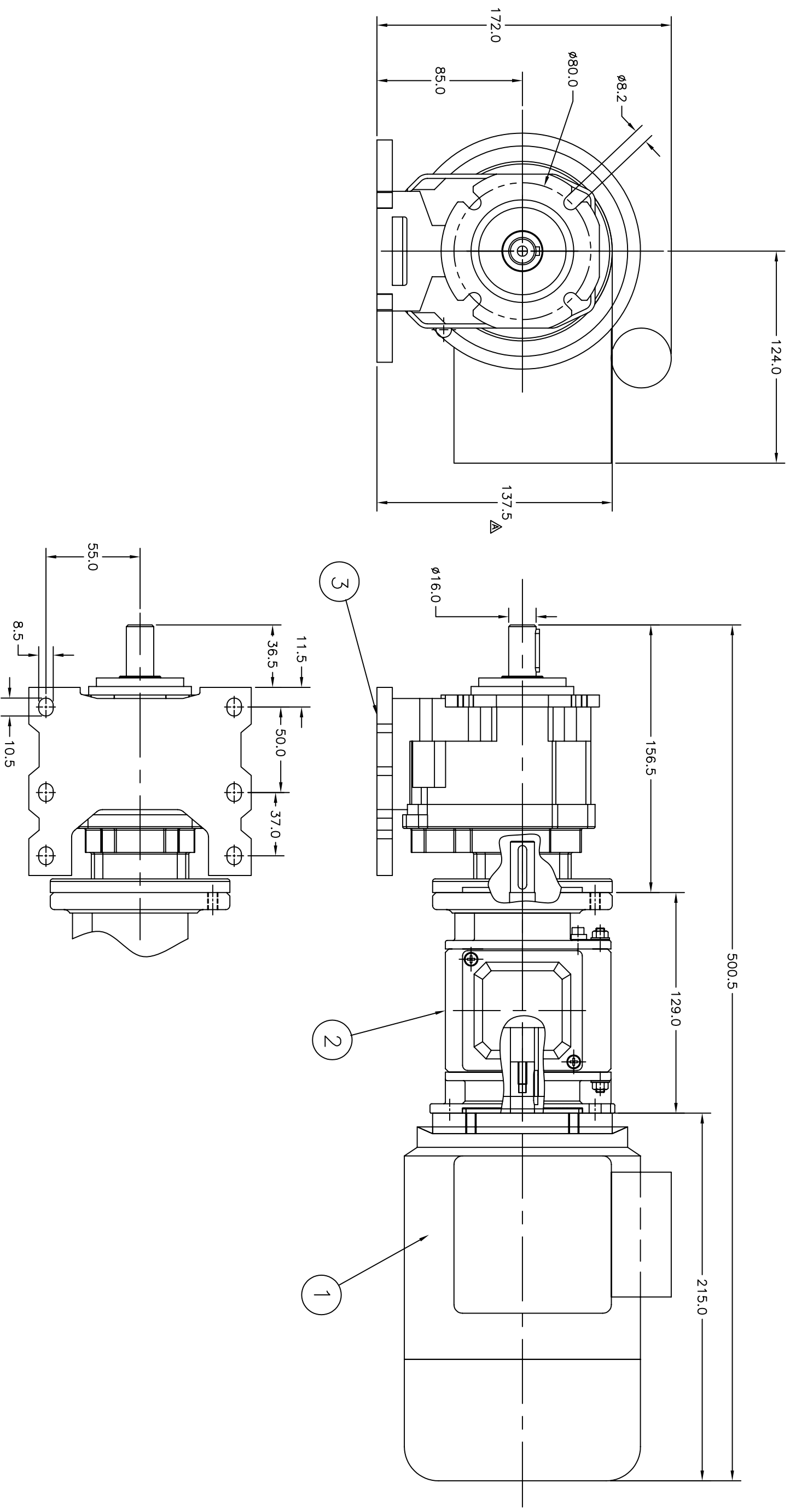


ITEM	QUAN	DESCRIPTION	PART NUMBER
1	1	MOTOR WITH B14 FLANGE	MM 71 B14
2	1	CLUTCH / BRAKE	41.800.06-119
3	1	GEAR REDUCER	COMM



THIS DRAWING IS PROVIDED ONLY BY THE CONSENT OF TORQUE TECHNOLOGIES PRODUCTS INC AND IS PROVIDED IN STRICT CONFIDENCE. UNDER NO CIRCUMSTANCES WILL IT BE DUPLICATED OR DISCLOSED UNLESS PRIOR APPROVAL IS OBTAINED FROM TORQUE TECHNOLOGIES PRODUCTS INC.

FRACTIONS +/- 1/32		TITLE	
+	-	DRIVE ASSEMBLY B14	
DECIMALS .X		DRAWN DATE	
.XX	.010	AR	10-12-10
.XXX	.005	CHECK DATE	
ANGLES +/- 1/2 deg		TPP	1071-002
REV		SCALE	
A	ADD DIMENSION	DATE	10-27-10
DESCRIPTION		WEIGHT	
DESCRIPTION		SHEET	

TORQUE TECHNOLOGIES PRODUCTS INC

SCALE: _____ WEIGHT: _____ SHEET: _____