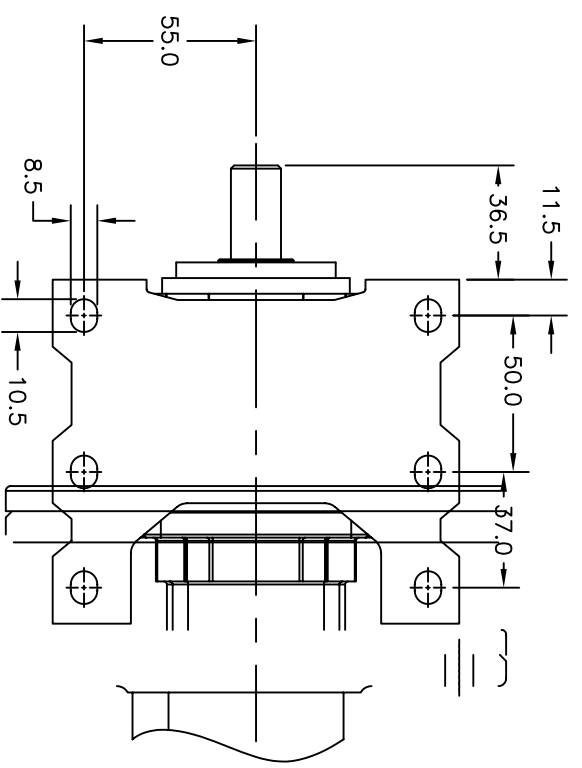
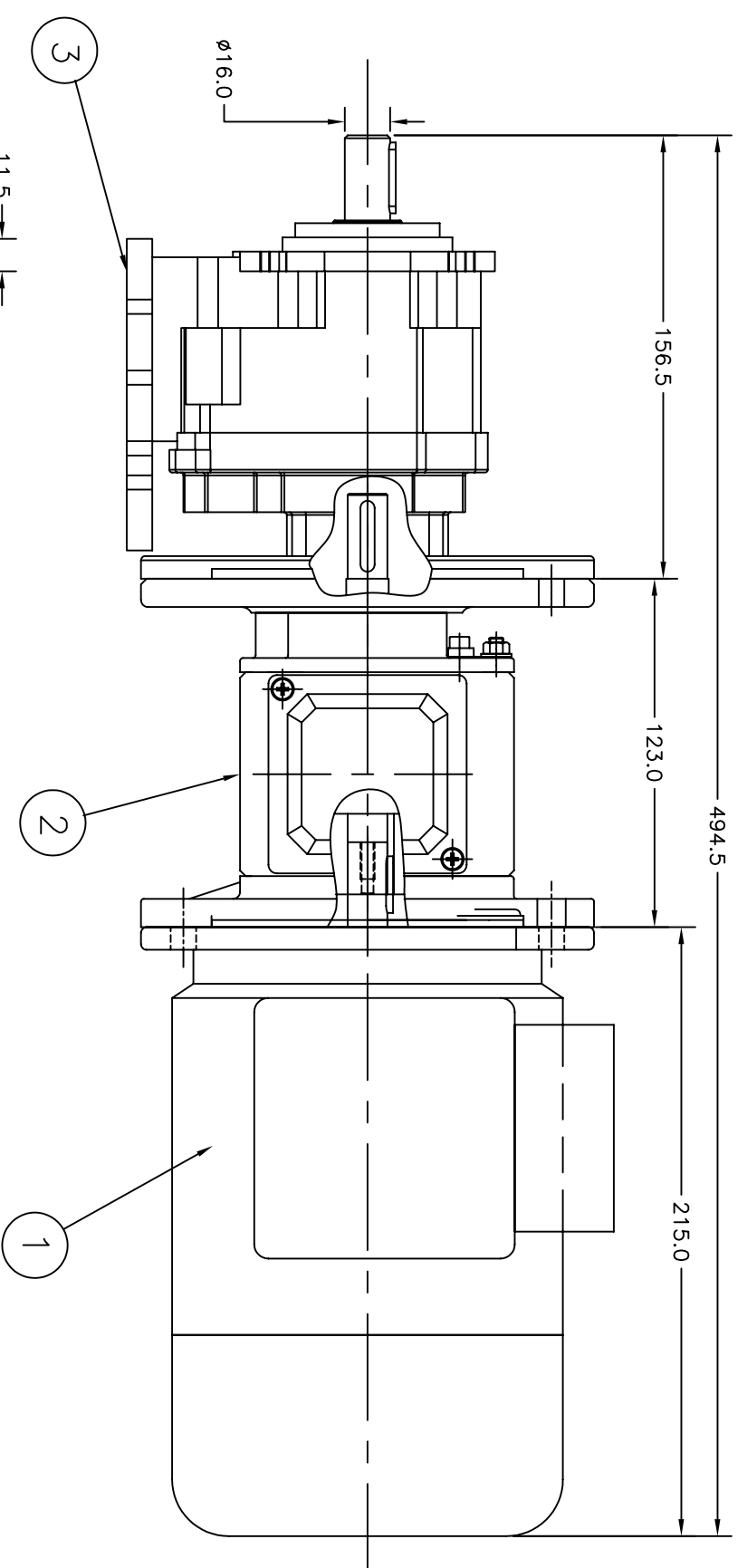
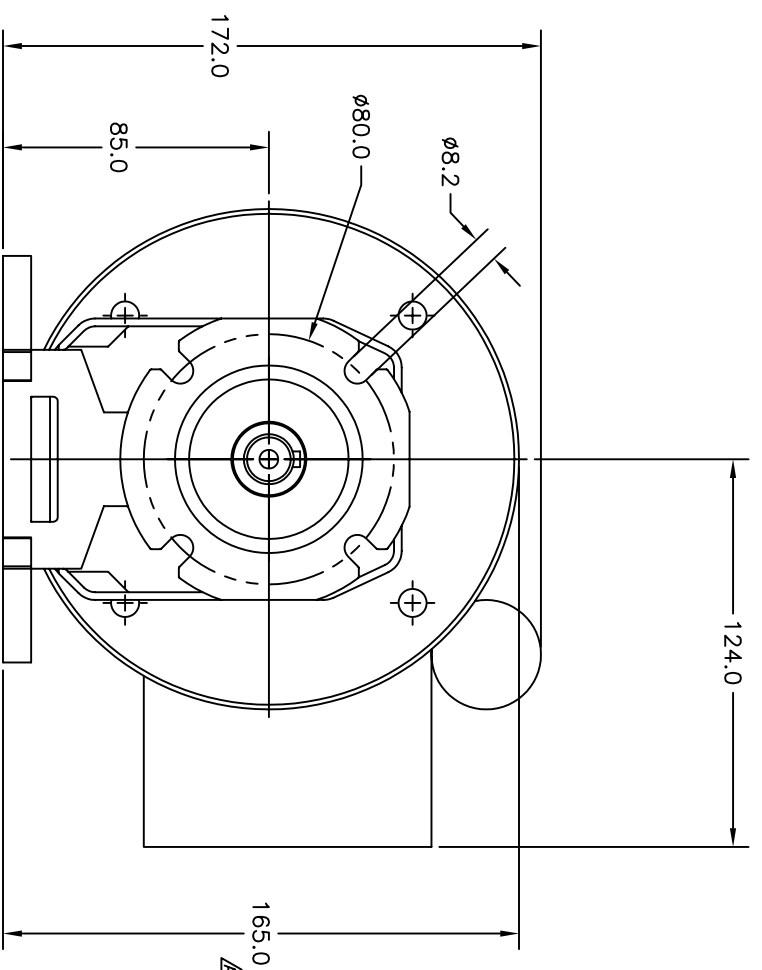


ITEM	QUAN	DESCRIPTION	PART NUMBER
1	1	MOTOR WITH B5 FLANGE	MM 71 B5
2	1	CLUTCH / BRAKE	41.800.06-120
3	1	GEAR REDUCER	COMM



THIS DRAWING IS PROVIDED ONLY BY THE CONSENT OF TORQUE TECHNOLOGIES PRODUCTS INC AND IS PROVIDED IN STRICT CONFIDENCE. UNDER NO CIRCUMSTANCES WILL IT BE DUPLICATED OR DISCLOSED UNLESS PRIOR APPROVAL IS OBTAINED FROM TORQUE TECHNOLOGIES PRODUCTS INC.

FRACTIONS	+/-	1/32	TITLE
+	-		DRIVE ASSEMBLY B5
DECIMALS	.X	.020	DATE
	.XX	.010	10-27-10
	.XXX	.005	
ANGLES	+/-	1/2 deg	DESCRIPTION
			ADD DIMENSION
			REV
			A

DRAWN DATE		CHECK DATE		APPR DATE	
AR	10-12-10				
SIZE FSOB NO		DWS NO		TTP1071-001	
SCALE		WEIGHT		SHEET	1

