

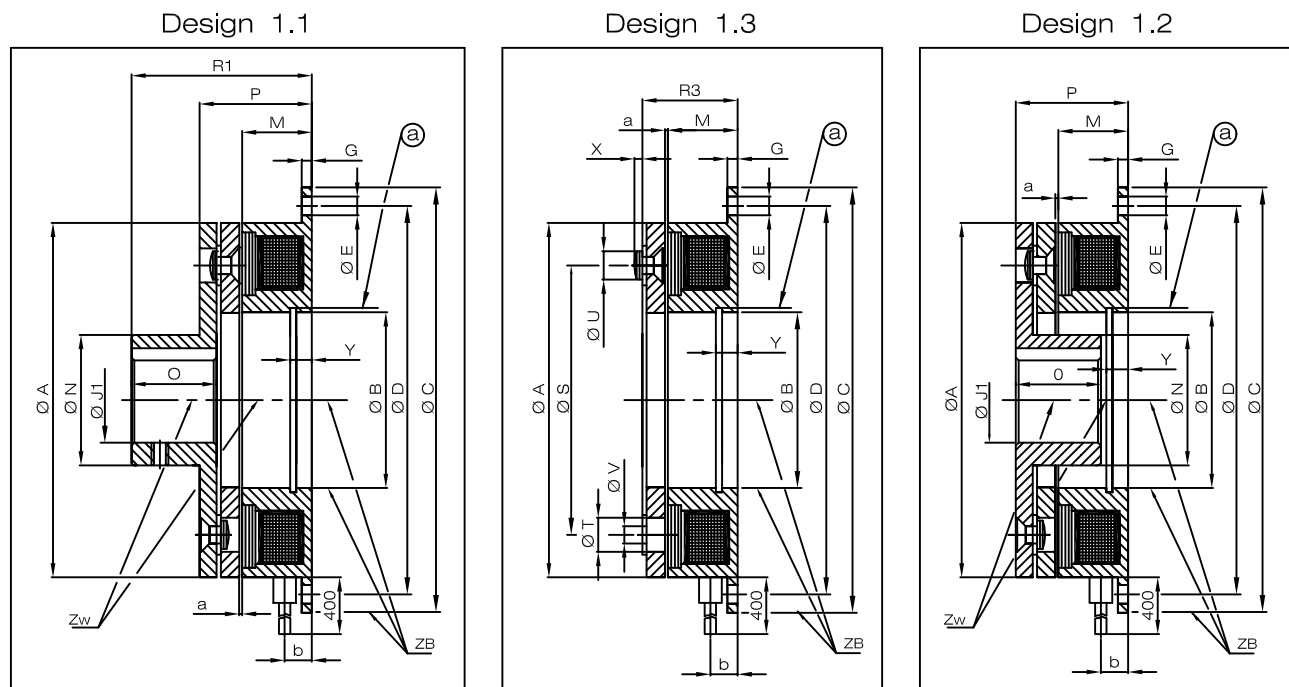


**Emco  
Dynatorq**

Title: **ELECTROMAGNETIC BRAKE**  
TYPE - 41.115 Design 1.1, 1.2, 1.3 (Normally Off)

Reference:  
-

**DIMENSIONS**



**PARAMETERS**

Size		31	40	50
Torque	Ms [Nm]	630	1250	2500
Max. Speed	rpm [min <sup>-1</sup> ]	1500	1500	1500
Input Power	P20 [w]	80	100	120
Permissible misalignment	Zw [mm]	0.15	0.2	0.2
	ZB [mm]	0.3	0.4	0.4
ØA		315	400	500
ØB <sub>H8</sub>		160	200	250
ØC <sub>H9</sub>		355	440	540
ØD		335	420	520
ØE		11 x 8	14 x 8	14 x 8
G		14	17	22
M		44	54	65
ØN		135	175	225
O		64	76	102
P		73	90	110
R <sub>1</sub>		124	150	192
R <sub>3</sub>		60	74	90
ØS		250	315	400
ØT		28	32	35
ØU		26x4	29x4	32x4
ØV		16.2x4	18.2x4	20.2x4
X		4	4.5	5
Y		9	11	14
a		1	1	1
b		20	28	32
ØJ <sub>1</sub> <sup>H7</sup> (max.)		105	130	150

IMPORTANT : 1 Nm = 0.102 kgm = 0.737 lb. ft.  
Standard voltages: 24 V.D.C.; 96 V.D.C.; 190 V.D.C.  
Other voltages on request.  
Ms: Dynamic Torque

All dimensions are in mm.

Keyways to DIN 6885/IS:2048  
ⓐ Cirdlip grooves to DIN 472/IS:3075 (Part 2).  
P : Coil power at 20° C in W

Drawn *Nulan*  
Appr.  
Date

Drg.No. **L3.104**

Sheet 1 Of 1