



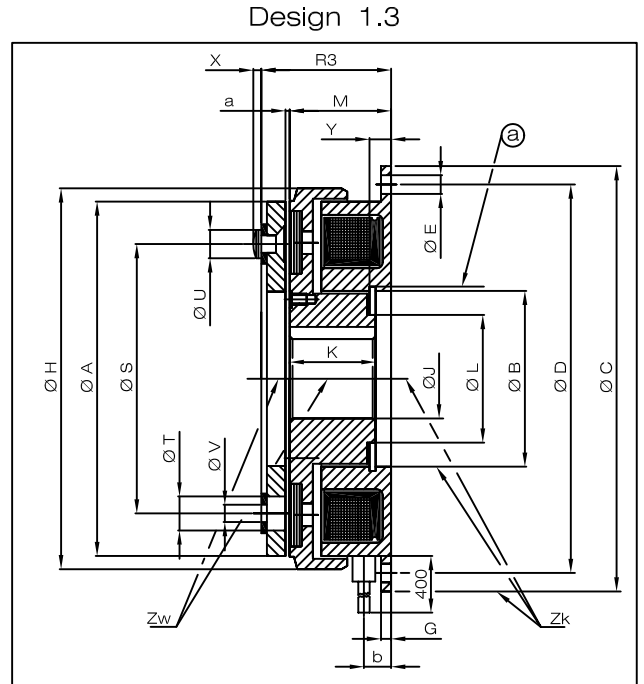
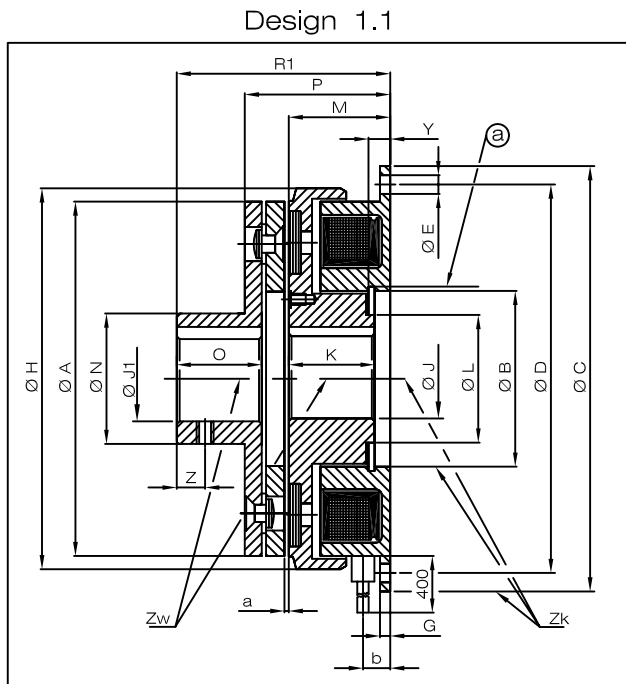
**Emco  
Dynatorq**

Title: **ELECTROMAGNETIC CLUTCH**  
TYPE - 41.105 Design 1.1 & 1.3 (Normally Off)

Reference:

—

**DIMENSIONS**



**PARAMETERS**

Size	31	40	50
Torque Ms [Nm]	630	1250	2500
Max. Speed rpm [min <sup>-1</sup> ]	1500	1500	1500
Input Power P20 [W]	80	100	120
Permissible misalignment	Zw [mm]	0.15	0.2
	Zk [mm]	0.3	0.4
ØA	315	400	500
ØBH8	160	200	250
ØCh9	355	440	540
ØD	335	420	520
ØE	11 x 8	14 x 8	14 x 8
G	14	17	22
ØH	332	418	526
K	53	69.5	84
ØL	130	160	190
M	63	76.5	93
ØN	135	175	225
O	64	76	102
P	92	112.5	138
R1	143	172.5	220
R3	79	96.5	118
ØS	250	315	400
ØT	28	32	35
ØU	26 x 4	29 x 4	32 x 4
ØV	16.2 x 4	18.2 x 4	20.2 x 4
X	4	4.5	5
Y	9	11	14
a	1	1	1
b	20	28	32
ØJ <sup>H7</sup> (max.)	105	130	150
ØJ1 <sup>H7</sup> (max.)	105	130	150

IMPORTANT : 1 Nm = 0.102 kgm = 0.737 lb. ft.  
Standard voltages: 24 V.D.C.; 96 V.D.C.; 190 V.D.C.  
Other voltages on request.  
Ms: Dynamic Torque

All dimensions are in mm.  
Keyways to DIN 6885/IS:2048  
ⓐ Circlip grooves to DIN 472/IS:3075 (Part 2).  
P : Coil power at 20° C in W

Drawn	<i>Nulan</i>	Drg.No. <b>L3.101</b>
Appr.		
Date		
		Sheet 1 Of 1

THIS DOCUMENT IS THE PROPERTY OF EMCO DYNATORQ PVT. LTD. UNAUTHORISED DISCLOSURE TO ANY THIRD PARTY OR DUPLICATION IS NOT PERMITTED