



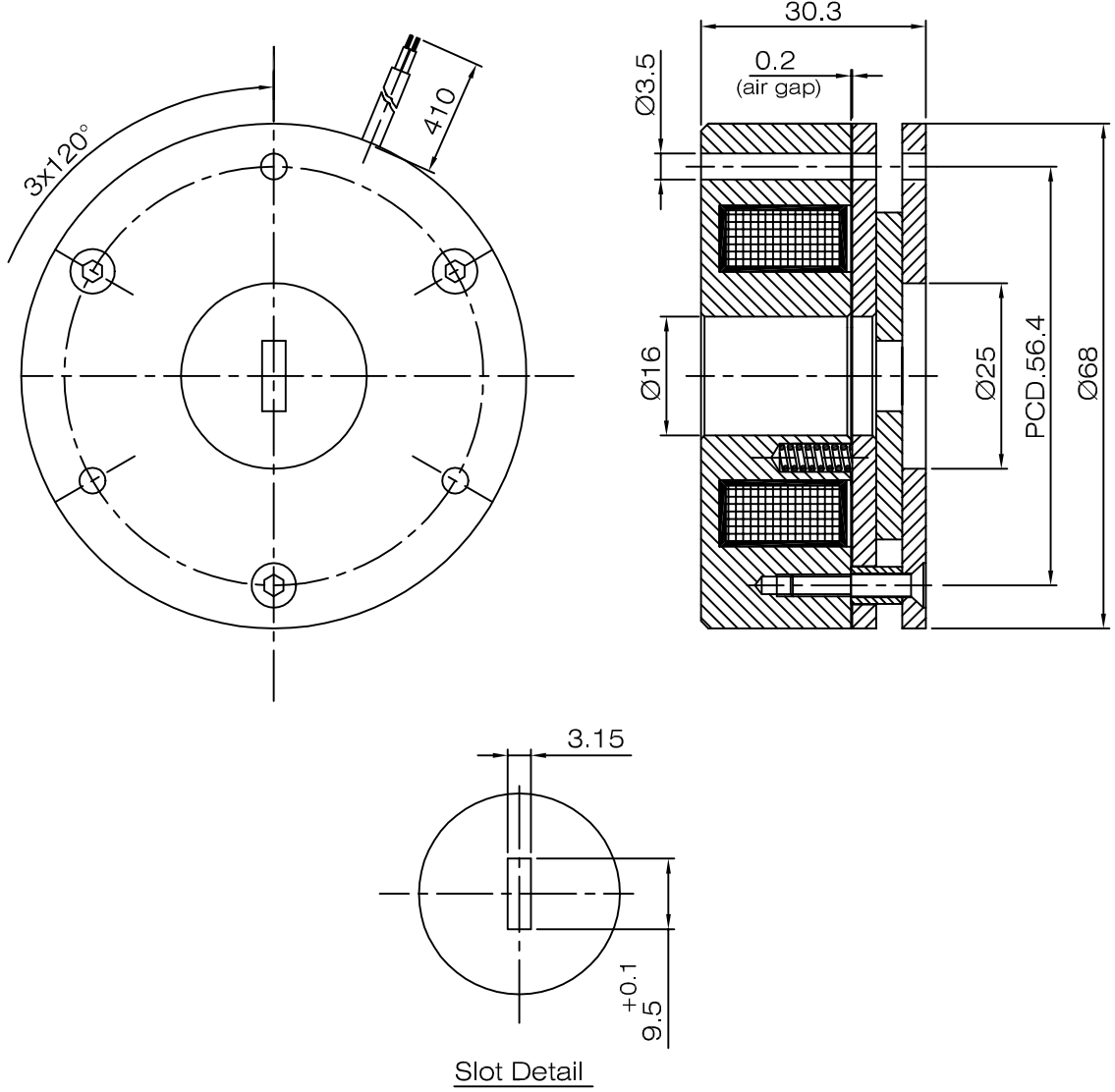
**Emco  
Dynatorq**

Title:

# Spring Applied Brake Assly. 41.457.04

Reference:

## DIMENSIONS



3	Torque	2 Nm
2	Coil Watts at 20°	12.5
1	Coil Volt	90 VDC
Sr.No.	Description	Specification

**Customer :- M/s.Torque Technologies**

**Projection First Angle**

All dimensions are in mm.

Drawn	<i>Nutan</i>
Appr.	
Date	16.09.10

Ref.-	DN Part No. CMLA-854-3
-------	------------------------

Drg.No.	<b>41.457.04-118</b>
Sheet	1 Of 1

THIS DOCUMENT IS THE PROPERTY OF EMCO DYNATORQ PVT. LTD. UNAUTHORISED DISCLOSURE TO ANY THIRD PARTY OR DUPLICATION IS NOT PERMITTED