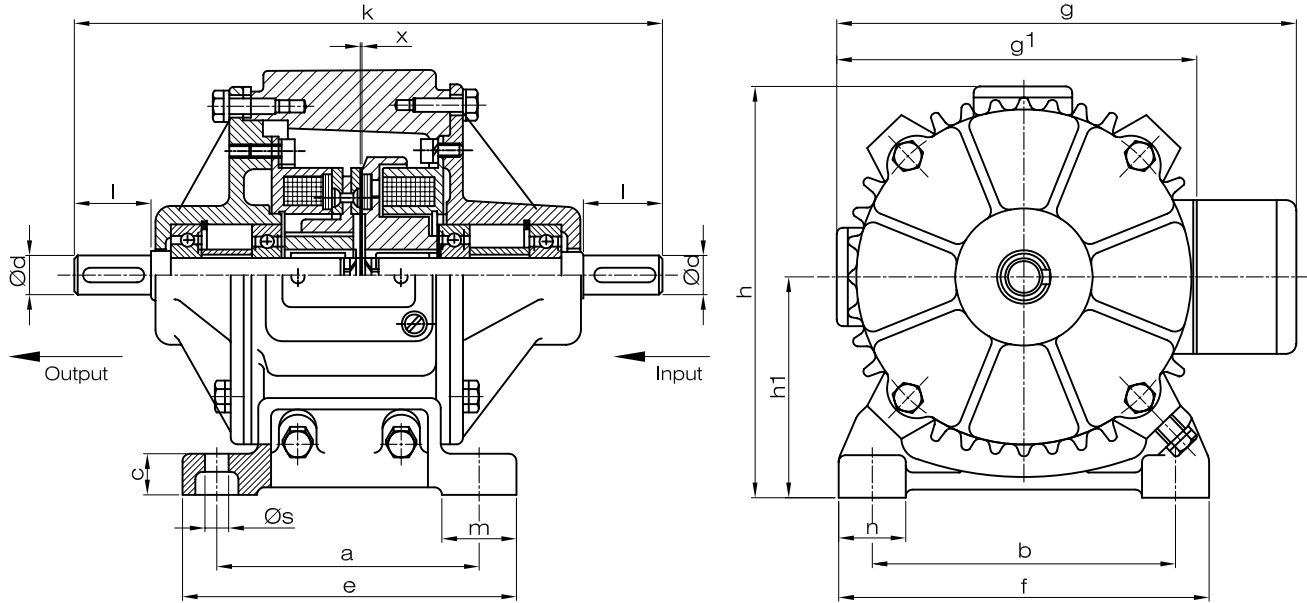


EMTorq

Title: **E.M. CLUTCH BRAKE COMBINATION**
(Normally Off & Encased)
TYPE - 41.125 (Design 1.1)

Reference:
—

DIMENSIONS

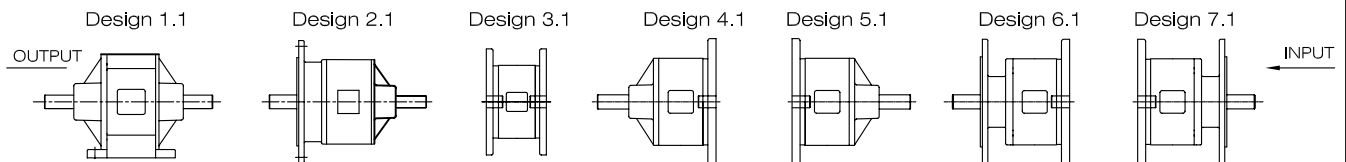


PARAMETERS

Size		06	08	10	12	16	20	25	31	40	50
Torque	Ms [Nm]	7.5	15	30	60	120	240	480	630	1250	2500
Max. Speed	[min ⁻¹]	8000	6000	5000	4000	3000	3000	2000	1500	1500	1500
Input Power - Brake	P ₂₀ [w] ¹	11.5	16	21	28	38	45	70	80	100	120
Input Power - Clutch	P ₂₀ [w] ¹	15	20	28	35	50	68	85	80	100	120
	a±1.0	80	95	100	130	160	165	185	227	250	400
	b±1.0	90	105	140	150	175	230	270	300	400	460
	c±1.0	12.5	13	15	16	16	20	25	18	18	20
	dk ^e	11	14	24	28	38	42	42	55	60	75
	e±2.0	100	115	130	157	188	200	225	275	305	490
	f±2.0	110	130	170	181	218	280	325	355	455	550
	g±4.0	151	172	202	228	275	331	385	458	559	665
	g ¹ ±4.0	107	128	158	184	228	284	338	410	514	620
	h±4.0	120	137	171	194	248	306	371	457	540	665
	h ¹ ±0.5	63	71	90	100	132	160	200	250	280	355
	k±2.0	175	210	272	320	383	410	428	573	632	860
	l±1.0	23	30	50	60	80	80	80	120	130	140
	m±2.0	25	26	35	36	57	60	53	66	70	100
	n±2.0	20	25	30	32	45	50	55	88	93	100
	s±1.0	6.5	7.0	10	12	14	18	18	18	18	18
	x±0.05	0.2	0.2	0.2	0.3	0.3	0.5	0.5	1	1	1

Flange Mounted Configuration Available in 41.125.06 to 25 only

All dimensions are in mm



Dimensional Details available on request

IMPORTANT : Ms: Dynamic Torque at 100 rpm.
1 Nm = 0.102 kgm = 0.737 lb. ft.
Standard voltages: 24 V.D.C.; 96 V.D.C.; 190 V.D.C.
Other voltages on request.

keyways to DIN 6885/ IS:2048
Technical Alterations Reserved
1. at 20° C

Drawn *Nutan*
Appr.
Date

Drg.No.
Sheet 1 Of 1