

Engineered to withstand **EXTREME CONDITIONS** and **SALT WATER INTRUSION.**



EMTorq's Marine Duty Brakes are IP66 certified and are specially designed for applications where protection is required against **salt or water spray and airborne dust.**

These brakes are electromagnetically actuated single disk with two friction surfaces. Braking power is applied by means of compression springs. Braking torque is generated in the power off state; fail-safe design provides true power-off braking.

Type WP.458.xx (IP66)

Type WP.488.xx (IP66)
with Energy-Saving Feature



Advantages

- IP66, IP65 and IP56 protection*
- Torque up to 2500 Nm (1844 Lb. Ft.)
- Low inertia rotors
- Class F coil insulation**
- Hard chrome-plated armature plates and flanges
- Screw type manual release
- Long Life Non-Asbestos Friction Linings
- Cold climate version available

EMTorq's Marine Duty Spring-Engaged Safety Brakes protect Offshore and On



PORT CRANES



GANTRY CRANES



MOORING WINCHES



ALSO AVAILABLE:
EMTorq Electro-hydraulic Disc Brakes, type EHT, for marine area applications, including port and gantry cranes.



EMTorq Flameproof/Explosion Proof brakes are ideal for harsh conditions, including Marine Winch applications.***



A Division of Torque Technologies

emtorq.com

*IP67 protection available upon request.

**Higher coil insulation available upon request.

***EMTorq brakes meet IEC 60079-0 and IEC 60079-1 flameproof certification.

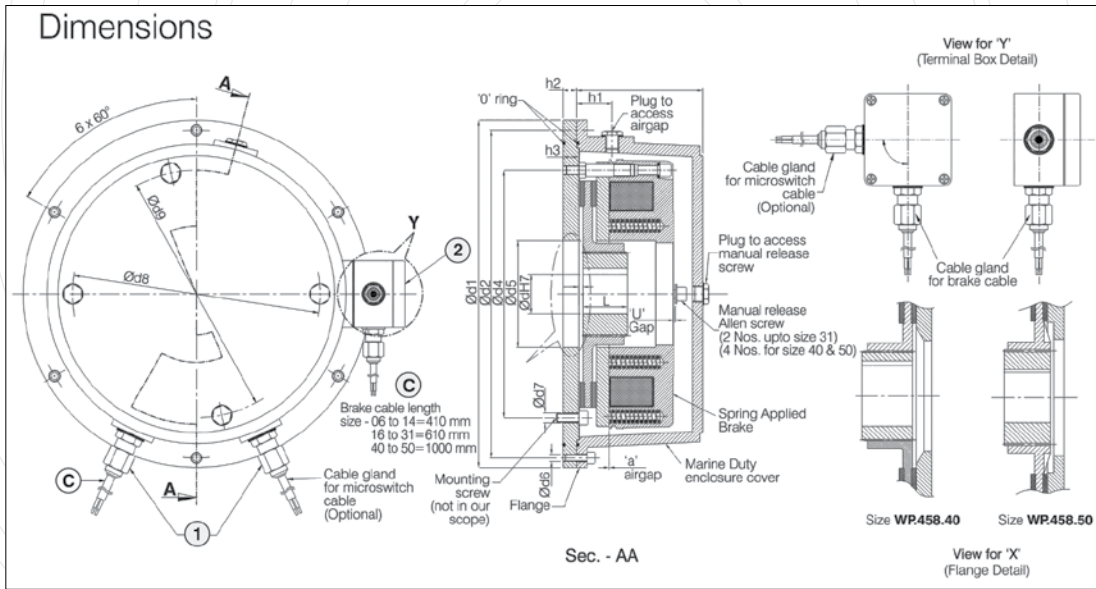
EMTorq stocks the BENCHMARK in all brake design.

Our brakes are interchangeable with virtually EVERY brake in the field: **Lenze, Intorq, KEB** and many other IEC/metric and NEMA/inch dimensioned designs.

PARAMETERS																							
Energy Saving Feature	Size	Input Power P20	Torque (Nm)	Torque (Lb Ft)	Ødh7	Ød1	Ød2	Ød4	Ød6 H8	Ød6	Flange Mounting Holes Ød7	Ød8	Ød9	L	Z	h	h1	h2	h3	±0.05 a (Airgap)	±0.01 U Gap	Flange Mounting Screw	
																						Without Microswitch	With Microswitch
-	WP.458.06	20	4	3	10, 11, 12, 14, 15	140	125	72	31	M5 x 12 (4 Nos.)	3 x Ø4.5	77	-	18	1	61	17	7.5	10	0.2	1	M4 x 16 (3 Nos.)	M4 x 16 (3 Nos.)
YES	WP.488.06	8																				M5 x 20 (3 Nos.)	M5 x 20 (3 Nos.)
-	WP.458.08	25	8	6	11, 12, 14, 15, 19, 20, 24	160	148	90	41	M5 x 16 (4 Nos.)	3 x Ø5.5	93.5	-	20	1.5	68	18	8.8	11	0.2	1	M5 x 20 (3 Nos.)	M5 x 20 (3 Nos.)
YES	WP.488.08	10																				M5 x 20 (3 Nos.)	M5 x 20 (3 Nos.)
-	WP.458.10	30	16	12	11, 12, 14, 15, 19, 20, 24	185	166	112	40	M5 x 16 (4 Nos.)	3 x Ø6.6	112	-	20	2	76	21	9	11.5	0.2	1	M6 x 20 (3 Nos.)	M6 x 20 (3 Nos.)
YES	WP.488.10	12																				M6 x 20 (3 Nos.)	M6 x 20 (3 Nos.)
-	WP.458.12	40	32	24	20, 24, 25, 28	205	192	132	45	M6 x 16 (6 Nos.)	3 x Ø6.6	132	-	25	2	86	23	9	11.5	0.3	1	M6 x 25 (3 Nos.)	M6 x 25 (3 Nos.)
YES	WP.488.12	16																				M6 x 25 (3 Nos.)	M6 x 25 (3 Nos.)
-	WP.458.14	50	60	44	20, 24, 25, 28, 30, 32, 34	225	212	145	55	M6 x 16 (6 Nos.)	3 x Ø9	150	-	30	2	100	34	10	12.5	0.3	1	M8 x 30 (3 Nos.)	M8 x 30 (3 Nos.)
YES	WP.488.14	20																				M8 x 30 (3 Nos.)	M8 x 30 (3 Nos.)
-	WP.458.16	76	100	74	25, 28, 30, 32, 34, 35, 38	250	236	170	65	M6 x 16 (6 Nos.)	3 x Ø9	170	-	30	2.25	105	25	10	12.5	0.3	1.5	M8 x 30 (3 Nos.)	M8 x 30 (3 Nos.)
YES	WP.488.16	22																				M8 x 30 (3 Nos.)	M8 x 30 (3 Nos.)
-	WP.458.18	85	150	111	30, 35, 38, 40, 42, 45	285	268	196	75	M6 x 20 (6 Nos.)	6 x Ø9	196	-	35	2.75	122	29	12.5	15	0.4	1.5	M8 x 25 (6 Nos.)	M8 x 25 (6 Nos.)
YES	WP.488.18	34																				M8 x 25 (6 Nos.)	M8 x 25 (6 Nos.)
-	WP.458.20	100	260	192	35, 40, 42, 45, 48, 50	330	314	230	90	M8 x 20 (6 Nos.)	6 x Ø11	230	-	40	3.5	131	35	12.5	15	0.4	1.5	M10 x 35 (6 Nos.)	M10 x 35 (6 Nos.)
YES	WP.488.20	40																				M10 x 35 (6 Nos.)	M10 x 35 (6 Nos.)
-	WP.458.25	110	400	295	45, 48, 50, 52, 55, 60, 65, 70	390	368	278	120	M8 x 20 (6 Nos.)	6 x Ø11	278	-	50	4.5	142	40	12.5	15	0.5	2	M10 x 35 (6 Nos.)	M10 x 35 (6 Nos.)
YES	WP.488.25	44																				M10 x 35 (6 Nos.)	M10 x 35 (6 Nos.)
-	WP.458.31	140	600	443	45, 48, 50, 52, 55, 60, 65, 70	390	368	278	120	M8 x 20 (6 Nos.)	6 x Ø11	278	-	50	4.5	168	37	12.5	15	0.5	2	M10 x 35 (6 Nos.)	M10 x 35 (6 Nos.)
-	WP.458.40	340																				M10 x 45 (6 Nos.)	M10 x 45 (6 Nos.)
-	WP.458.40	340	1,600	1,180	50, 52, 55, 60, 65, 70, 75, 85, 90	450	420	325	145	M10 x 35 (6 Nos.)	6 x Ø11	335	325	64	4.5	172	41	21.5	24	0.5	2.5	M10 x 45 (6 Nos.)	M10 x 45 (6 Nos.)
-	WP.458.50	440	2,500	1,844	55, 60, 65, 70, 75, 80, 85, 90, 95, 100, 110	630	608	480	210	M10 x 40 (6 Nos.)	6 x Ø16.5	488	475	83	6.5	230	56	30	33	0.8	2.5	M16 x 65 (6 Nos.)	M16 x 65 (6 Nos.)

Linear wear is directly proportional to the speed at which braking takes place.
We reserve the right to make changes in specifications.

All dimensions are in mm.



Important:

- For vertical mounting, contact us
- For applications with motor operated with VFD, contact us for special circuit
- Standard voltages:
WP.458.xx – 24 VDC; 96 VDC; 205 VDC
WP.488.xx – 205 VDC
 (Other voltages available upon request.)
- P: Coil Power at 20° C
- Permissible voltage change
 + 5% to -10%
- Recommended ISO shaft tolerances
 Up to Ø50 mm = k6.
 Over Ø50 mm = m6
- Keyways to DIN 6885 / IS : 2048
 *Non std. Keyway
- Contact us for Manual Cranking application

Copyright © 2014 Torque Technologies, Inc. All Rights Reserved. Lenze, Intorq and KEB are registered trademarks of their respective owners and are not affiliated with EMTorq or Torque Technologies.



PRECISION • PERFORMANCE • SOLUTIONS

A DIVISION OF TORQUE TECHNOLOGIES
 Spring Set Brakes • Industrial Electromagnetic Clutches
 Brakes • Clutch-Brake Combinations

emtorq.com



Address:
 1623 W. University Parkway
 Sarasota, FL 34243 USA

Toll Free: 1-800-813-0844
 Phone: (941) 358-9447
 Fax: (941) 358-9647

Email: sales@emtorq.com
Web: www.emtorq.com

MDB040714