

NEW at EASA 2014



Double-Flanged Spring-Set Motor Brakes:

- NEMA 56 C through NEMA 254 TC frame
- IEC/Metric 63 through 112 frame

EMTorq, a Division of Torque Technologies, is now offering these NEW, robust and reliable brakes, available for Metric/IEC and NEMA mounting.

Our IEC/Metric and NEMA brakes are designed for tough, repetitive cycling. Whether using IEC/Metric or NEMA brakes, both are designed to mount easily in a similar fashion: single flange brakes mount to a prepared end bell; double flanged brakes mount between a motor and a flanged gearbox.

EMTorq makes a variety of motor brakes including energy-saving, fast-response models and motor brakes for tough applications – ALL with IEC/metric and NEMA mounting capabilities:

- IP66 Wash-down Applications
- Weatherproof
- Marine Duty
- Flameproof/Explosion-proof [IEC 60079-0 and IEC 60079-1 flameproof certification]



A Division of Torque Technologies

emtorq.com



EMTorq makes standard, off-the-shelf brakes for NEMA and IEC/Metric motors – with simple and easy replacement – suitable for many OEM and Retrofit applications including:

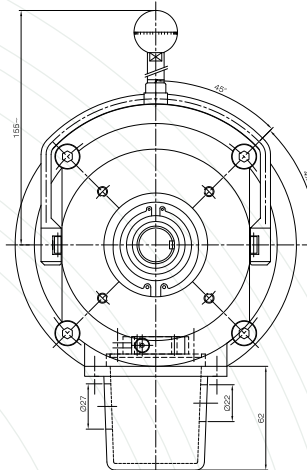
- Vertical Storage Systems
- Crane & Hoist
- Conveyors
- Any Application Requiring Reliable Braking

Associate Member



NEMA/INCH CHART

Model	Size	Torque Rating Ft. Lbs (NM)	Frame Reference	Flange to Flange Length	Flange Diameter Inches (mm)
41.358.00 NEMA INCH Flanged	06	3 ft. lbs (4 NM)	56C and 145TC	3.5 Inches (90 mm)	6.5 inch (165 mm)
	08	6 ft. lbs (8 NM)			
	10	12 ft. lbs (16 NM)			
	11	18 ft. lbs (25 NM)			
	12	25 ft. Lbs (32 NM)	182TC	7.0 inches (178 mm)	8.86 inch (225 mm)
			213TC		
			254TC		
			182TC		
	14	45 ft. Lbs (61 NM)	213TC	7.0 inches (178 mm)	8.86 inch (225 mm)
			254TC		
182TC					
16	75 ft. Lbs (102 NM)	213TC	7.0 inches (178 mm)	8.86 inch (225 mm)	
		254TC			
		182TC			

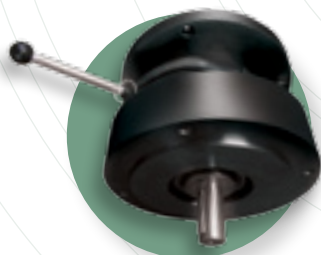
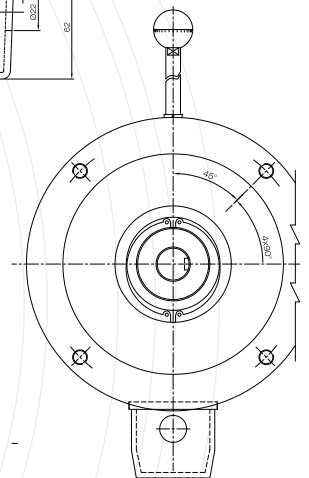


**NEMA
56C
Frame**

IEC/METRIC CHART

Model	Size	Torque Rating NM (ft.lbs)	Frame Reference	Flange to Flange Length	Flange Diameter mm (inches)
41.358.14 IEC METRIC Flanged	14	55 NM (40.5 ft. Lbs)	100L	163 mm (6.42 inches)	240mm (9.45 inches)

**IEC/METRIC
100L
Frame**



NEMA



**FLAMEPROOF/
EXPLOSION PROOF**



IEC/METRIC



**MARINE
DUTY**



PRECISION • PERFORMANCE • SOLUTIONS

A DIVISION OF TORQUE TECHNOLOGIES
Spring Set Brakes • Industrial Electromagnetic Clutches
Brakes • Clutch-Brake Combinations

emtorq.com



Address:
1623 W. University Parkway
Sarasota, FL 34243 USA

Toll Free: 1-800-813-0844
Phone: (941) 358-9447
Fax: (941) 358-9647

Email: sales@emtorq.com
Web: www.emtorq.com